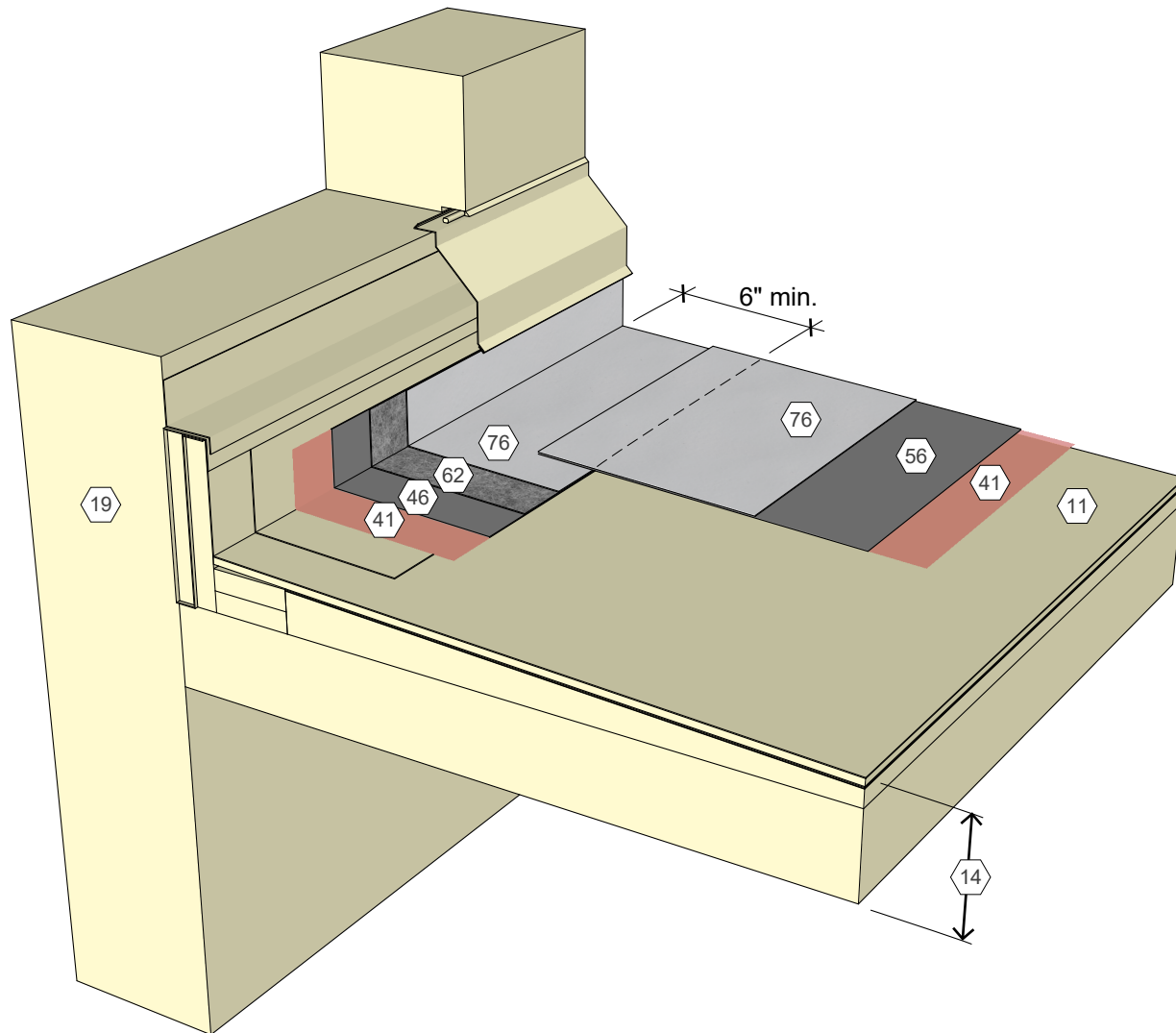


## KEY NOTES

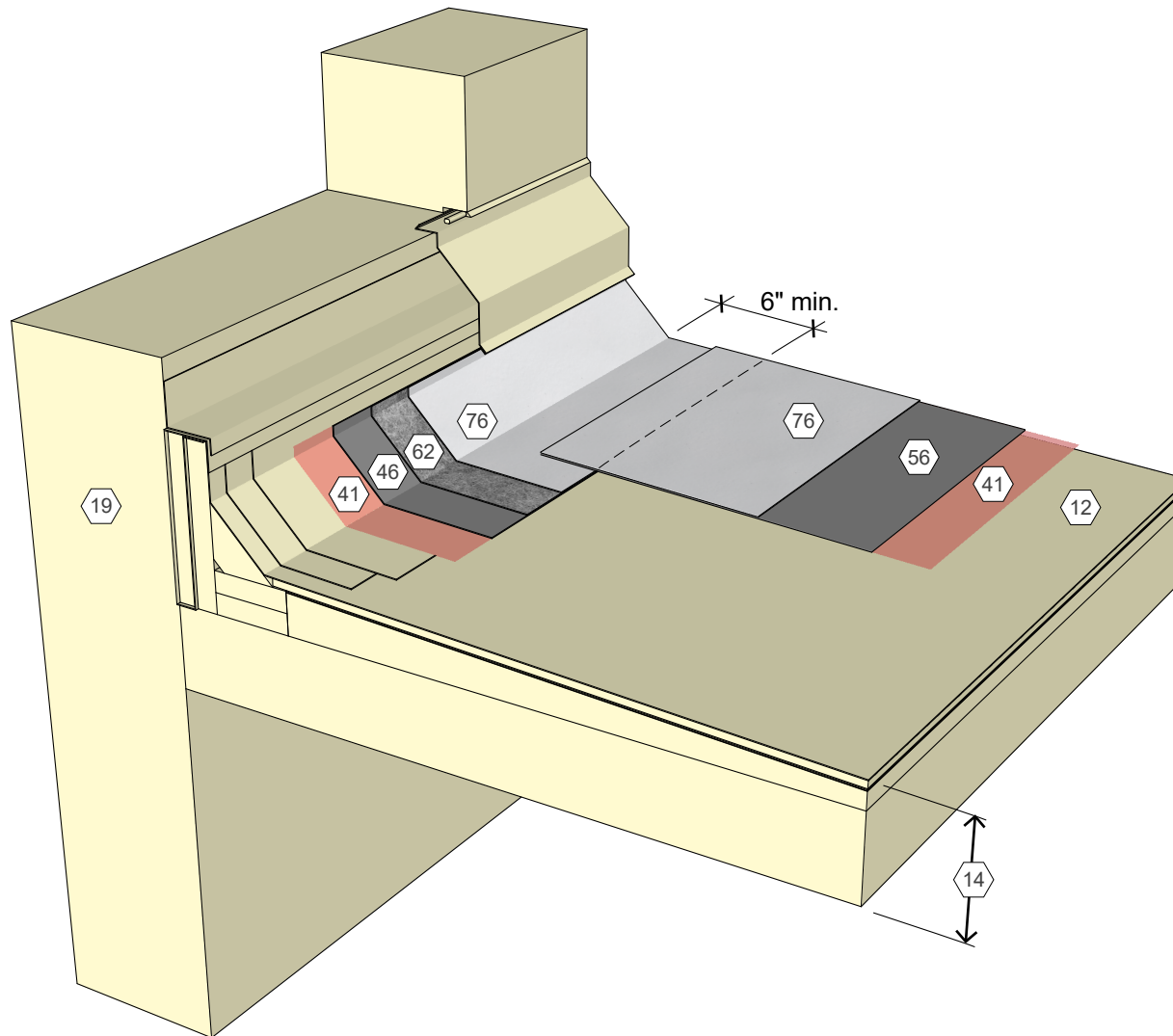
- ① Existing Single-Ply Membrane
- ⑭ Existing Structural Deck and Insulation Assembly
- ⑲ Existing Wall Assembly
- ④ Approved Primer
- ⑥ SOLARGARD Seam Sealer or SOLARGARD 6083 Base Coat
- ⑤ SOLARGARD 6083 Base Coat
- ② Permafab
- ⑦ SOLARGARD 6083 Finish Coat



SOLARGARD® 6083 Restoration Detail, Single-Ply, Parapet Wall, Non-Supported  
Detail 18061

## KEY NOTES

- 12 Existing MB or Smooth BUR
- 14 Existing Structural Deck and Insulation Assembly
- 19 Existing Wall Assembly
- 41 Approved Primer
- 46 SOLARGARD Seam Sealer or SOLARGARD 6083 Base Coat
- 56 SOLARGARD 6083 Base Coat
- 62 Permafab
- 76 SOLARGARD 6083 Finish Coat



SOLARGARD® 6083 Restoration Detail, MB or Smooth BUR, Parapet Wall, Non-Supported  
Detail 18062